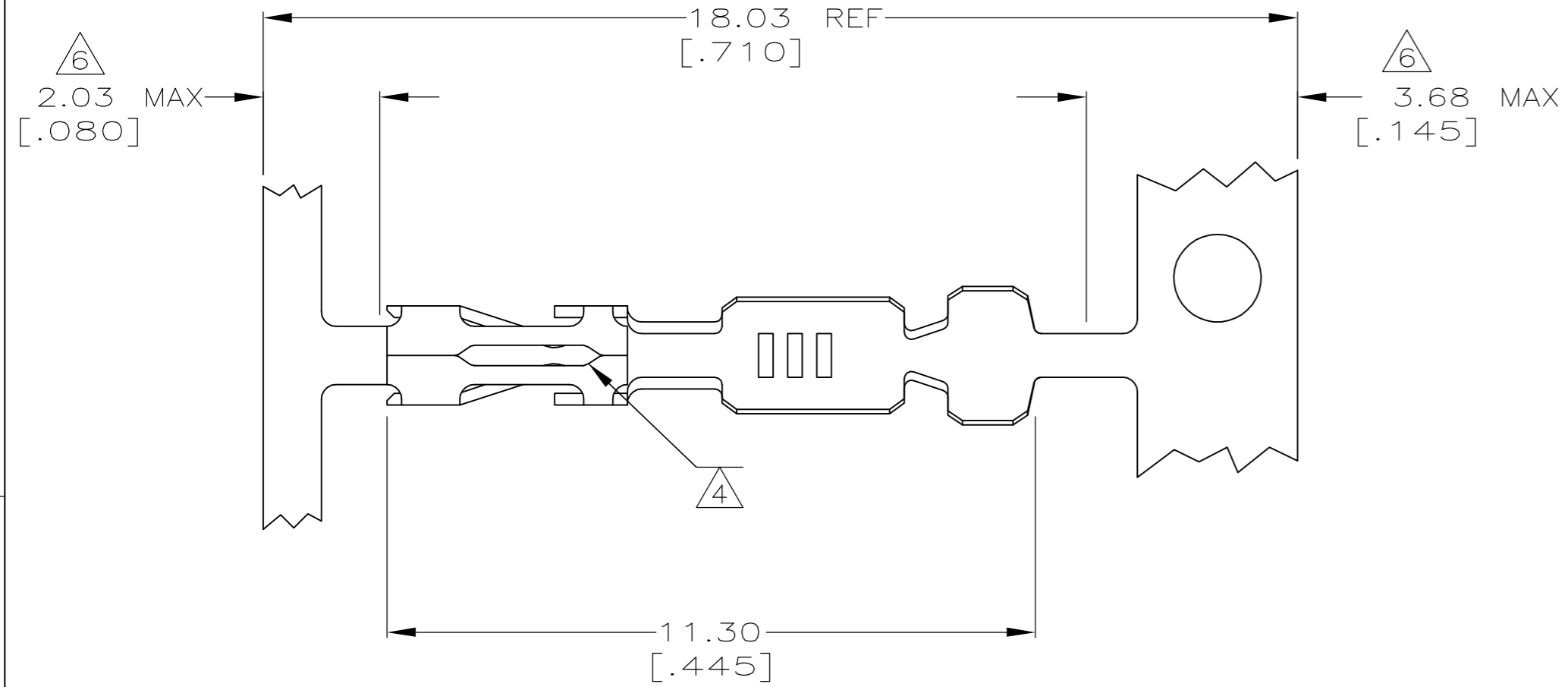
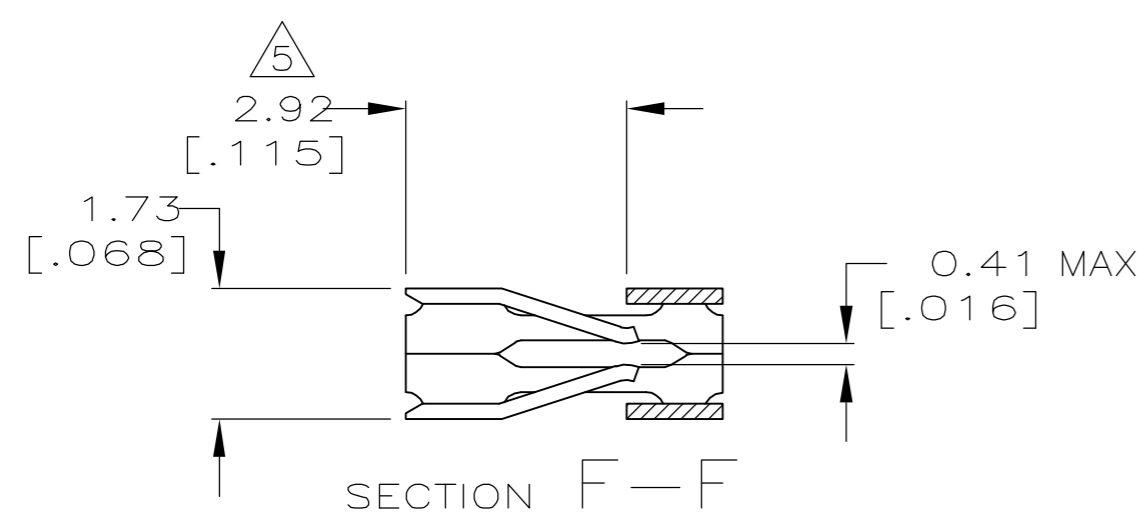
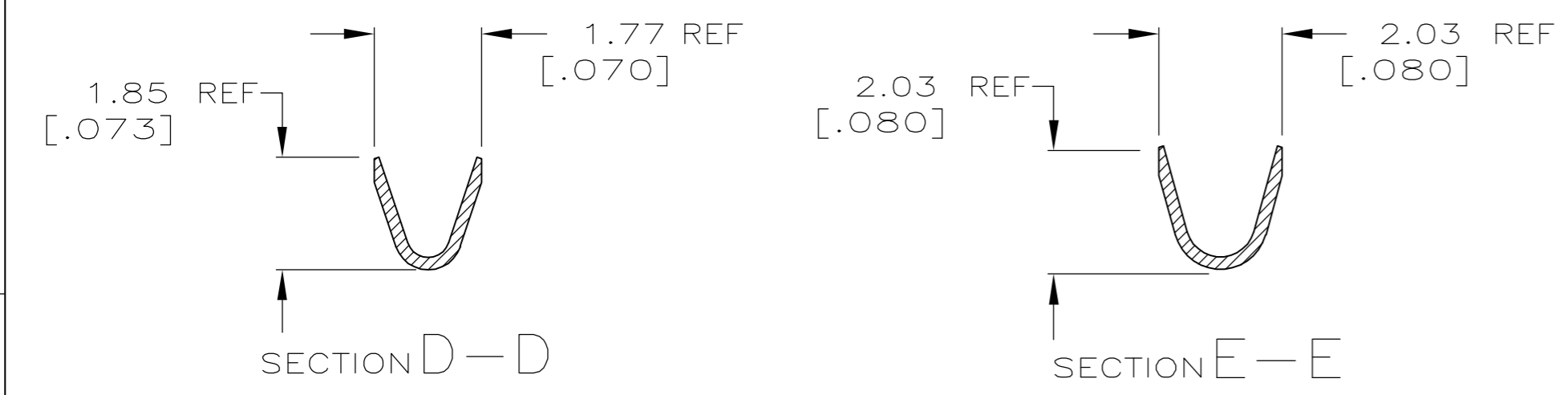
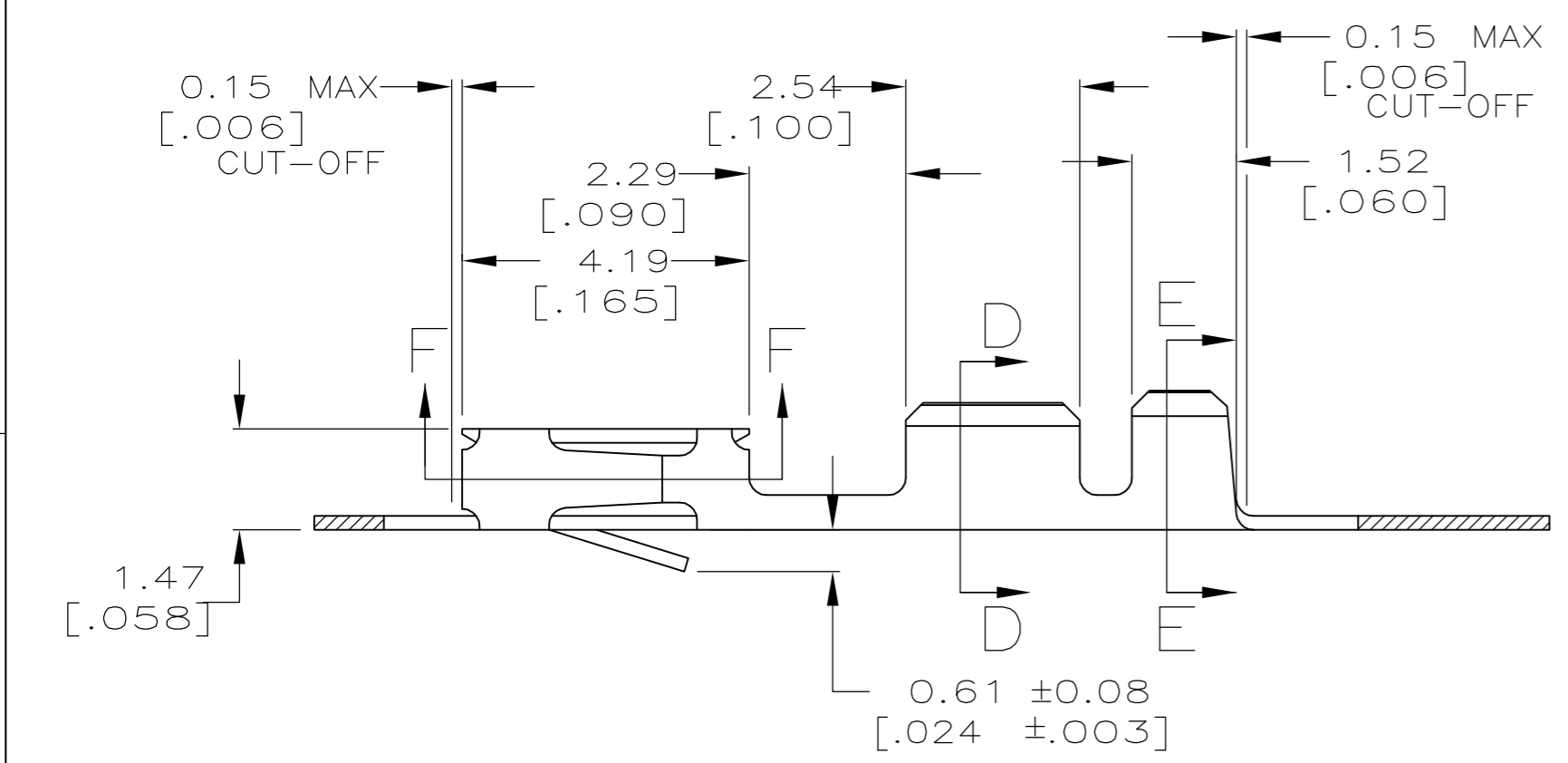


THIS DRAWING IS UNPUBLISHED. RELEASED FOR PUBLICATION  
 © COPYRIGHT BY TYCO ELECTRONICS CORPORATION. ALL RIGHTS RESERVED.

| LOC |    | DIST |     | REVISIONS    |         |     |      |
|-----|----|------|-----|--------------|---------|-----|------|
| AD  | 39 | P    | LTR | DESCRIPTION  | DATE    | DWN | APVD |
|     |    | J1   |     | ECO-06-19486 | 16AUG06 | MB  | DR   |



- ① REELED FOR MINI APPLICATOR.
  - ② FINISH: GOLD FLASH OVER 0.00127[.000050] NICKEL, 0.000381[.000015] GOLD IN CONTACT AREA.
  - ③ FINISH: GOLD FLASH OVER 0.00127[.000050] NICKEL, 0.00076[.000030] GOLD IN CONTACT AREA.
  - ④ CUT OUTS ON BOX AT MANUFACTURERS OPTION.
  - ⑤ POINT OF MEASUREMENT FOR PLATING THICKNESS (INSIDE BEAMS).
  - ⑥ GOLD PLATING NOT REQUIRED IN THIS AREA.
7. WIRE RANGE #22-#26, INSULATION RANGE  $\phi$ .061 MAX.



| LOOSE PC.   | ③      | 102548-6    |
|-------------|--------|-------------|
| ①           | ③      | 102548-5    |
| LOOSE PC.   | ②      | 102548-3    |
| ①           | ②      | 102548-1    |
| DESCRIPTION | FINISH | PART NUMBER |

|  |                  |                       |  |                 |
|--|------------------|-----------------------|--|-----------------|
| THIS DRAWING IS A CONTROLLED DOCUMENT. |                  | DWN S. SHUEY 5-6-92   | <b>tyco</b> Tyco Electronics Corporation |                 |
| DIMENSIONS: mm [INCHES]                |                  | CHK J.GESFORD 5-20-92 | Harrisburg, PA 17105-3608                |                 |
| TOLERANCES UNLESS OTHERWISE SPECIFIED: |                  | APVD -                | NAME CONTACT, CRIMP SNAP-IN, MOD IV 1/2  |                 |
| 0 PLC ± -                              | 1 PLC ± -        | PRODUCT SPEC -        | -  |                 |
| 2 PLC ± 0.13[.005]                     | 3 PLC ± -        | APPLICATION SPEC -    | -  |                 |
| 4 PLC ± -                              | ANGLES ± -       | FINISH SEE TABLE      | SIZE A2                                  | CAGE CODE 00779 |
| MATERIAL BERYLLIUM COPPER              | FINISH SEE TABLE | WEIGHT -              | DRAWING NO C=102548                      | RESTRICTED TO - |
| CUSTOMER DRAWING                       |                  |                       | SCALE 10:1                               | SHEET 1 OF 1    |